

SERIES 9100 BEVALERT®

AMB IN BEVERAGE-GRADE CO₂

Analysis of acetaldehyde, methanol, and benzene in beverage-grade carbon dioxide

- Sensitive
- Exceeds ISBT Guidelines and Methodologies
- Direct measurement of AMB
- Interference free response
- Photoionization Detector

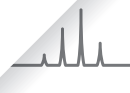
Introduction

Carbon dioxide (CO₂) produced for the beverage industry is both a co- and by-product of numerous industrial processes such as combustion, fermentation, ammonia and hydrogen production, and chemical and refinery operations. It is also derived from natural sources. With such varied and numerous sources, coupled with the complex supply chain used to deliver it to user facilities—a multitude of trace contaminants, many posing health concerns or causing undesirable odors—may find their way into the CO₂. These impurities must be removed before it can be classified and used as an ingredient in beverage products.

The Series 9100 BevAlert® Gas Chromatograph adheres to the stringent guidelines and methodologies established by the International Society of Beverage Technologists (ISBT) to monitor the most critical trace impurities

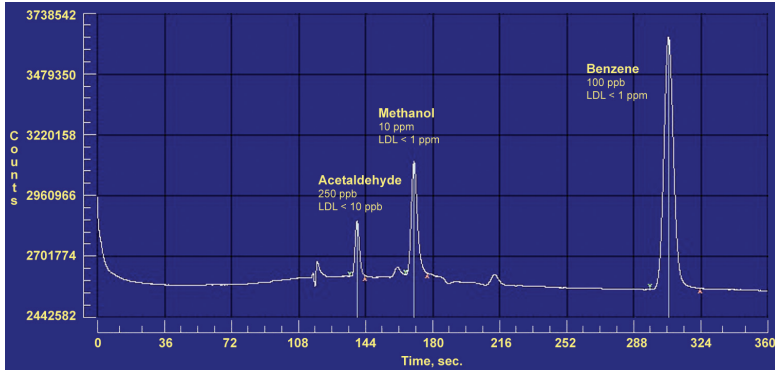
	ISBT Method	ISBT Spec	Series 9100 MDQ*
Acetaldehyde	11 - GC w/PID	< 0.2 ppm	< 0.05 ppm
Methanol	9 - GC w/PID	< 10 ppm	< 2.0 ppm
Benzene	12 - GC w/PID	< 0.02 ppm	< 0.002 ppm

*Minimum Detectable Quantity



SERIES 9100

AMB IN BEVERAGE-GRADE CO₂



Separation of AMB using Series 9100 BevAlert® Gas Chromatograph

Analysis

The Series 9100 BevAlert® Gas Analyzer combines the selectivity of gas chromatography with the sensitivity of a photoionization detector (PID). This provides an interference free response to acetaldehyde, methanol, and benzene (AMB).*

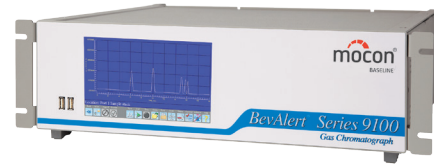
This application uses a dual column configuration with timed backflush to vent using proprietary GC columns. A pre-cut column is used in series with an analytical column. A fixed volume of sample is injected and carried through the pre-cut column where it is stripped of initial interfering heavier components and moisture, thus reducing analysis time and protecting the analytical column.

Backflush of the pre-cut column is timed from sample injection so that only AMB and remaining similar components are eluted to the analytical column. Contaminants on the pre-cut column are then vented.

Acetaldehyde, methanol, and benzene are separated from potentially interfering components on the analytical column and elute to the photoionization detector for analysis.

*Other volatile organic compounds such as the following may be added to the analysis if desired. Contact us for further details.

- 1,2,4-Trimethylbenzene (CAS 95-63-6)
- Dimethyl ether (CAS 115-10-6)
- Ethanol (CAS 64-17-5)
- Ethylene oxide (CAS 75-21-8)
- *n*-pentane (CAS 109-66-0)
- Vinyl chloride (CAS 75-01-4)

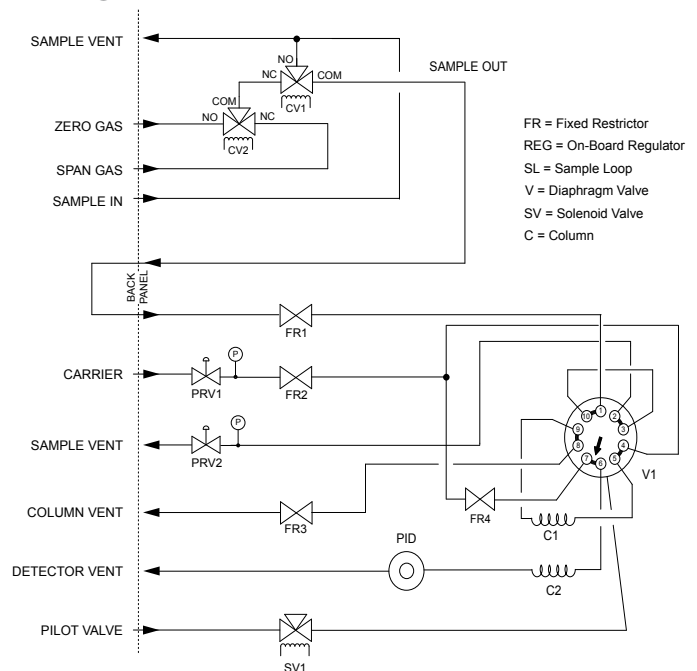


Conditions

Instrument:	Series 9100 BevAlert® GC
Detector:	Photoionization (PID), standard
Columns:	Col 1: 043-866 x 30 m Col 2: 043-159 x 30 m
Temperature:	Column Oven: 75-85 °C, isothermal*
Carrier Gas:	Hydrogen (H ₂), Helium (He) or Nitrogen (N ₂)
Carrier Gas Flow:	7 cc/min.
Sample Matrix:	CO ₂
Sample Flow Rate:	150–200 cc/min (typical)
Sample Size:	100 µL
Analysis Run Time:	360 seconds
Precision/Accuracy:	1% of Full Scale / 2% Measured Value

*Note: actual temperature is determined by the carrier gas used.

Flow Diagram (typical)



MOCON, Inc. - Baseline
 19661 Highway 36
 PO Box 649
 Lyons, CO 80540
 USA
 T) 303.823.6661
www.baseline-mocon.com

© 2017 MOCON®, Inc. - Baseline. All rights reserved. The MOCON, Inc. logo and design are registered trademarks of MOCON, Inc. in the United States of America and other countries. Information, descriptions, photographs, technical drawings, and specifications in this publication are provided in good faith and are subject to change without notice. While every effort has been made to make the information presented herein as complete and accurate as possible, it may contain errors, omissions or information that was accurate as of its publication. The information contained herein is provided without warranties of any kind, either express or implied, and MOCON, Inc. - Baseline disclaims any and all liability for any errors, inaccuracies or incompleteness affecting the products and/or the specifications contained herein.