

piD-POD

FLOW-THROUGH piD-TECH® ENCLOSURE



Permits smooth integration of a PID into existing gas monitoring instrumentation

The piD-POD® from AMETEK MOCON – Baseline allows for sample flow path integration of a piD-TECH® eVx photoionization sensor into existing gas monitoring instrumentation without extensive engineering expense. Since a photoionization detector (PID) does not destroy the sample, the piD-POD is a direct way for OEMs to provide a total volatile organic compound (TVOC) measurement into their instrument design.

Compact and economical, the piD-POD has no moving parts and consists of a cylindrical housing which accommodates the piD-TECH® eVx photoionization sensor and inlet/outlet sample ports. It is engineered for inlet flows of up to 300 cc/min. and comes equipped with a PCB-mounted connector with mating adapter. The piD-POD utilizes the AMETEK MOCON - Baseline line of piD-TECH® eVx sensors, allowing the user to choose the desired sensitivity and lamp energy for the application.

Applications

- Incorporates into gas monitoring instrumentation that requires the sensitivity of photoionization detectors
- Low dead volume sealed design

Features & Benefits

- Maintains all of the performance specifications of the piD-TECH® eVx photoionization sensor
- Cap threaded for easy mounting
- 1/4-28 UNF sample inlet/outlet ports
- PCB mounted connector with mating connector included
- piD-TECH eVx sensors sold separately, allowing user to chose sensitivity and lamp energies

Specifications

Part No.	043-370
Inlet Pressure	0 to 60 psi
Inlet Flow	0 to 300 cc/min
Power	3.2 to 5.5 V DC
Output	0 to 2.5 V DC*
Weight	40 g (1.41 oz) with PID sensor

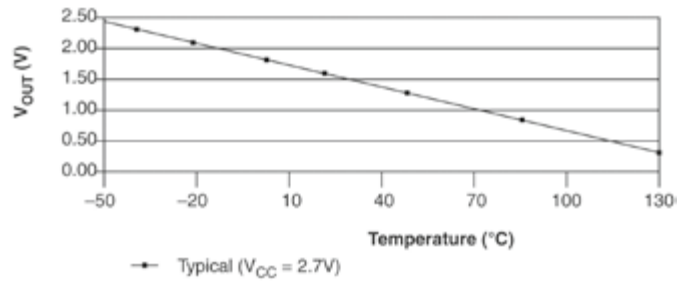
* per piD-TECH® eVx specifications (piD-TECH eVx sensor not included)

piD-POD FLOW-THROUGH PID-TECH® ENCLOSURE

Temperature Characteristics

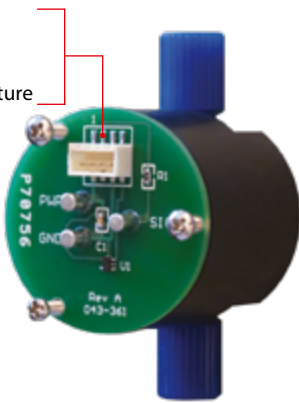
For additional information refer to STLM20 specifications. To determine the temperature, use the voltage in the following equation:

$$T = -1481.96 + \sqrt{2.1962 \times 10^6 + \frac{(1.8639 - V_{out})}{3.88 \times 10^{-6}}}$$



Mating and Connector Pins

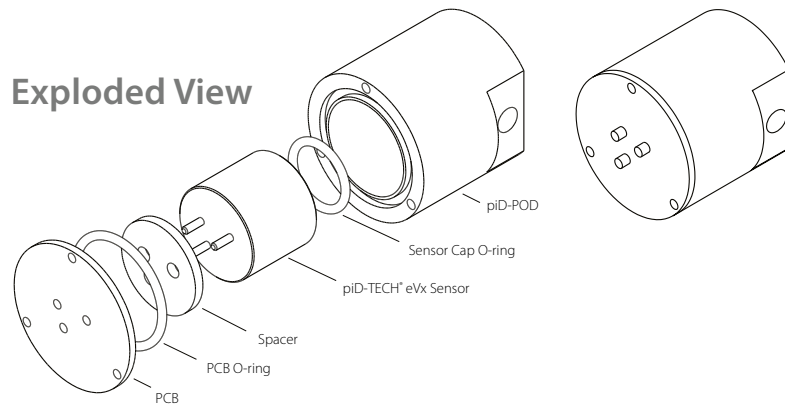
- Pin 1: Power
- Pin 2: Signal
- Pin 3: Ground
- Pin 4: Temperature



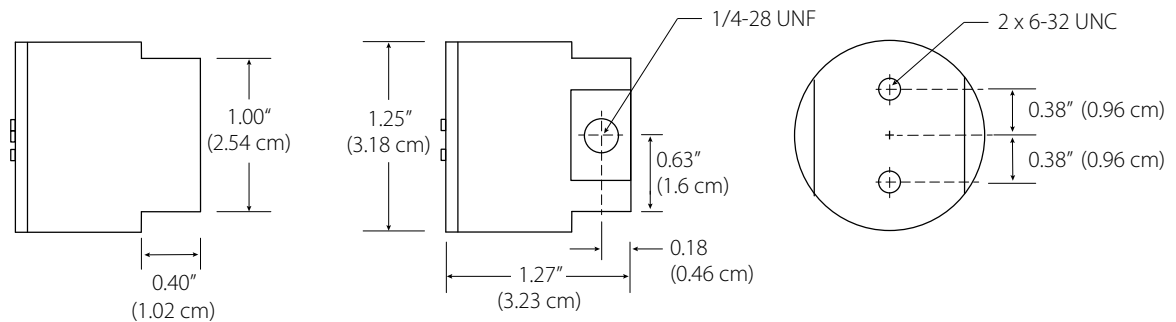
Includes:

- Connector, Housing Receptacle, 4 Position Rectangular, Natural 0.059" (1.50 mm) [Digi-Key P/N: A99970-ND]
- Socket, Contact Crimp, 24-30 AWG Tin [Digi-Key P/N: A99967CT-ND (qty 4)]

Exploded View



Dimensions



AMETEK MOCON - Baseline
19661 Highway 36
PO Box 649
Lyons, CO 80540 USA
T: +1 303.823.6661
www.baseline-mocon.com

© 2017, by AMETEK MOCON - Baseline. All rights reserved. The AMETEK and MOCON Baseline logos and design are registered trademarks of AMETEK MOCON in the United States of America and other countries. Information, descriptions, photographs, technical drawings, and specifications in this publication are provided in good faith and are subject to change without notice. While every effort has been made to make the information presented herein as complete and accurate as possible, it may contain errors, omissions or information that was accurate as of its publication. The information contained herein is provided without warranties of any kind, either express or implied, and AMETEK MOCON - Baseline disclaims any and all liability for any errors, inaccuracies or incompleteness affecting the products and/or the specifications contained herein.